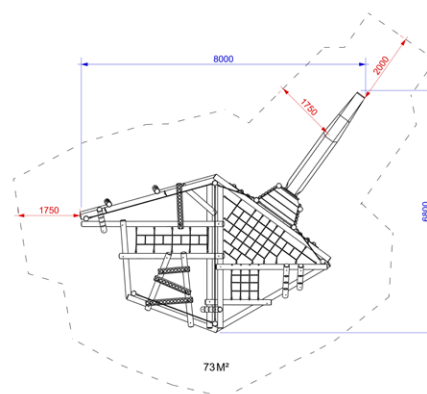
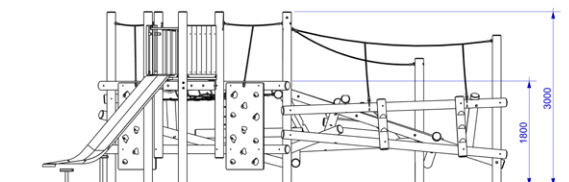


Scafell Glimber with Slide



Size (L x W x H): 8000mm x 6800mm x 3000mm
Critical fall height: 1.8M
Overall size including fall space: 11400mm x 10200mm
Minimum safety surfacing required: 73M²
High pressure treated 'play grade' timber
Steel reinforced, nylon ropes
HDPE plastic climbing wall panels
Stainless steel slide



Active Play / Playframes
P-AP-PLA-SCS