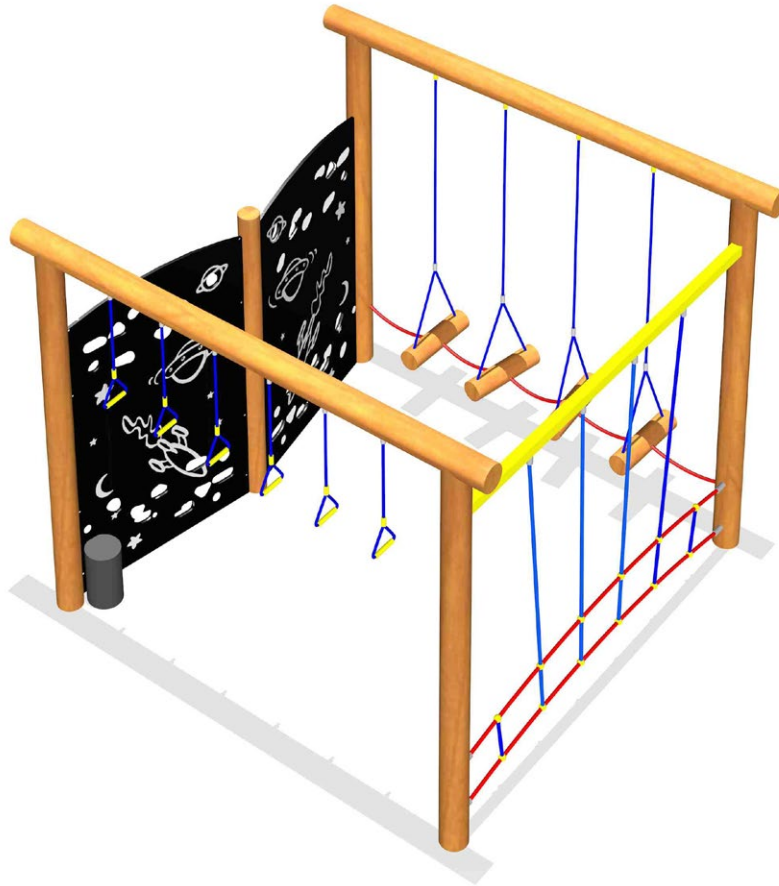
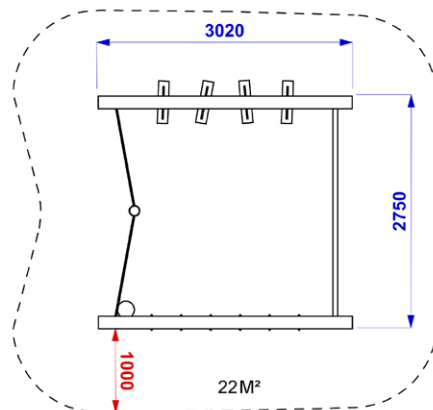
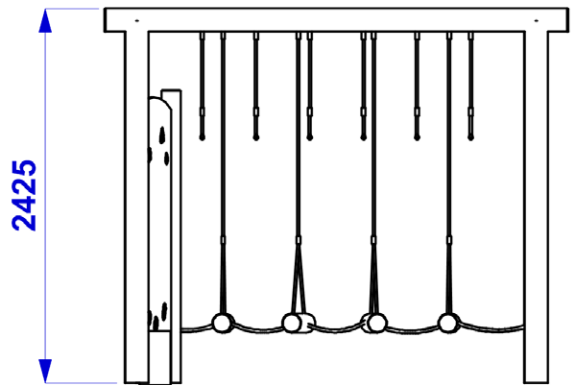


Single Space Explorer Low Level



Size (L x W x H): 3020mm x 2750mm x 2425mm
Critical fall height: 0.6M
Overall size including fall space: 6020mm x 5750mm
Minimum safety surfacing required: 22M²
High pressure treated 'play grade' timber
Steel reinforced, nylon ropes
Galvanised and powder coated steel components

*May not be required if there is an existing impact absorbing surface (such as grass).



Active Play / Playframes
P-AP-PLA-SEL