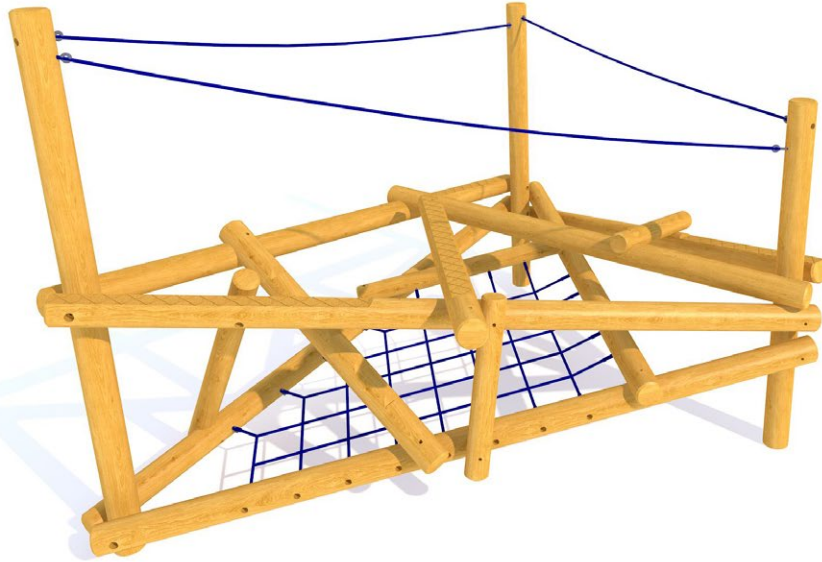
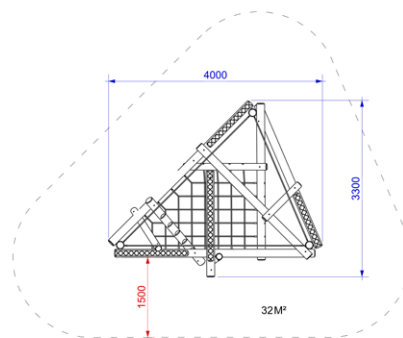
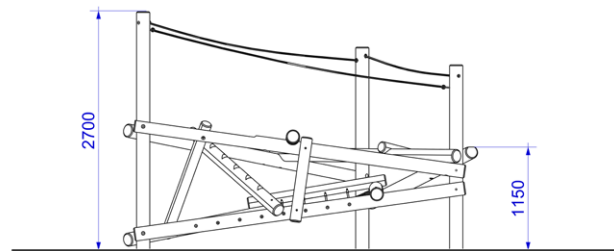


# Great Gable Glimber



Size (L x W x H): 4000mm x 3300mm x 2700mm  
Critical fall height: 1.5M  
Overall size including fall space: 7000mm x 6300mm  
Minimum safety surfacing required\*: 32M<sup>2</sup>  
High pressure treated 'play grade' timber  
Steel reinforced, nylon ropes

\*May not be required if there is an existing impact absorbing surface (such as grass).

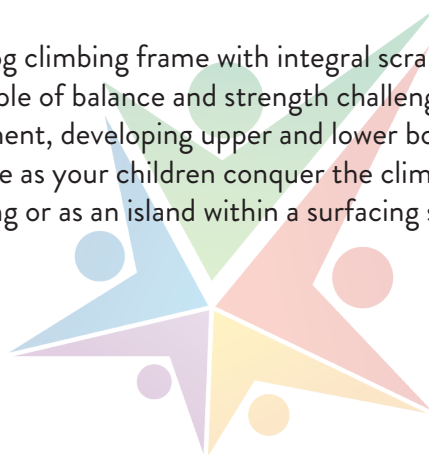


**Active Play / Playframes**  
P-AP-PLA-GGC

# Great Gable Glimber



A large, triangular framed log climbing frame with integral scramble net and rope handrail, offering your children multiple of balance and strength challenges as they climb higher. Great for physical development, developing upper and lower body strength, gross motor skills and building confidence as your children conquer the climber. Great for imaginative play too, through den making or as an island within a surfacing scheme.



**Active Play / Playframes**  
P-AP-PLA-GGC