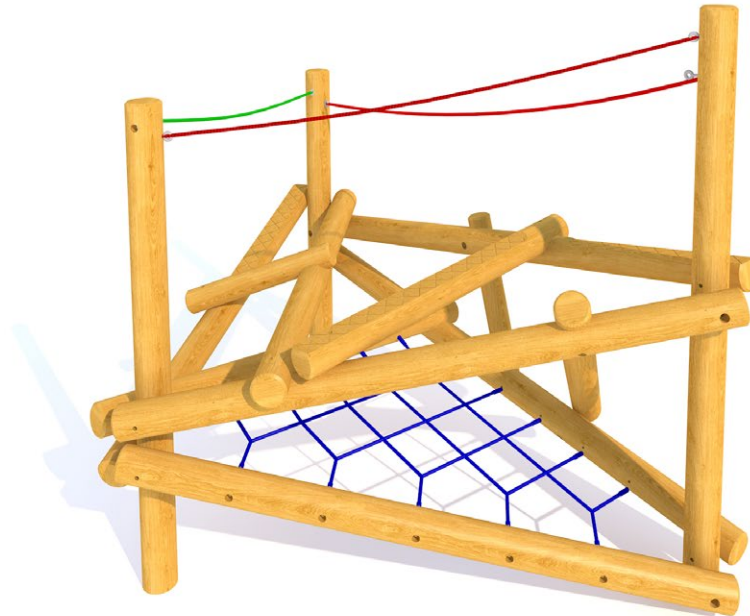
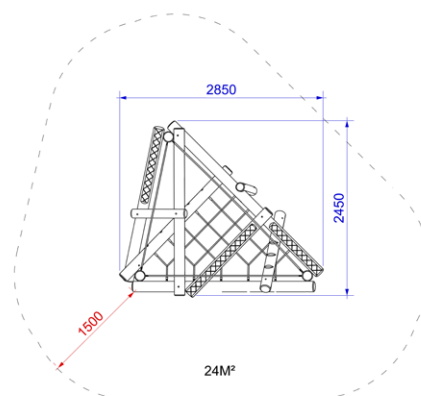
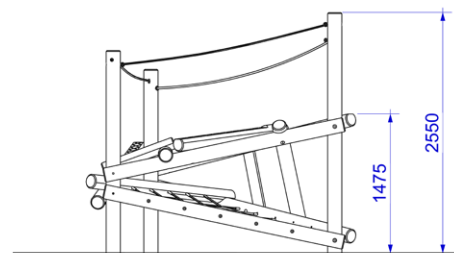


Cheviot Glimber



Size (L x W x H): 2500mm x 2300mm x 1800mm
Critical fall height: 1.5M
Overall size including fall space: 5500mm x 5300mm
Minimum safety surfacing required*: 24M²
High pressure treated 'play grade' timber
Steel reinforced, nylon ropes

*May not be required if there is an existing impact absorbing surface (such as grass).

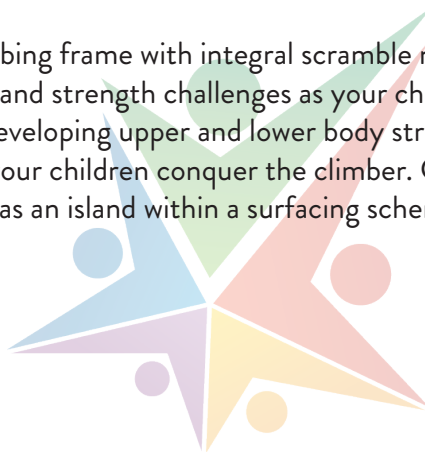


Active Play / Playframes
P-AP-PLA-CC

Cheviot Glimber



A triangular framed log climbing frame with integral scramble net and rope handrail, offering multiple of balance and strength challenges as your children climb higher. Great for physical development, developing upper and lower body strength, gross motor skills and building confidence as your children conquer the climber. Great for imaginative play too, through den making or as an island within a surfacing scheme.



Active Play / Playframes
P-AP-PLA-CC