

# Timber Swing (2.4M) with One Flat and One Cradle Seat

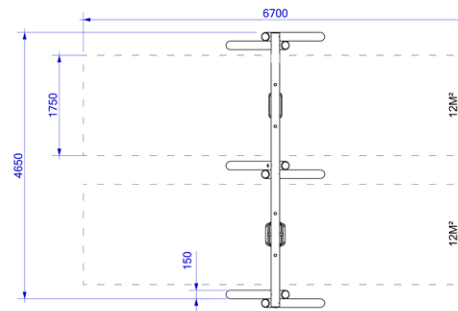
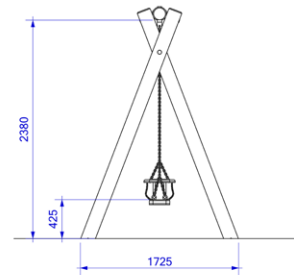


Size (W x D x H): 4650mm x 1725mm x 2380mm  
Critical fall height: 1.4M  
Overall size including fall space: 6700mm x 4650mm  
Minimum safety surfacing required\*: 24M<sup>2</sup>  
Seat height: 425mm  
High pressure treated 'play grade' timber  
Galvanised chains  
Galvanised and powder coated steel bracket

Includes:

EPDM rubber flat seat (x 1)  
EPDM rubber cradle seat (x 1)

\*May not be required if there is an existing impact absorbing surface (such as grass).



**Active Play / Kinetic**  
**AE-AP-KIN-TS2.4FC**